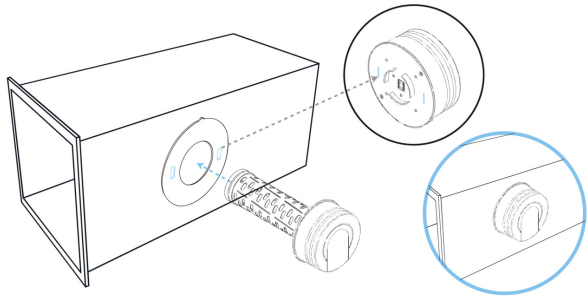
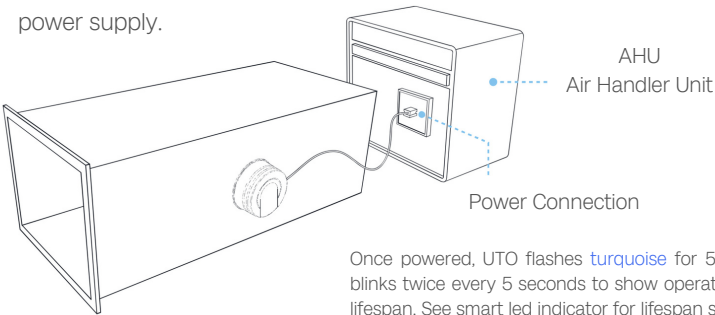


- 1 Drill a 3" hole past the fan unit. Peel off BASE PLATE's backing and press it onto duct, guide upward.

- 2 Slide UTO into the BASE PLATE, align with guides, and secure by sliding down.



- 3 Connect UTO's POWER CORD to a 110V or 220V power supply.



Once powered, UTO flashes **turquoise** for 5 seconds, then blinks twice every 5 seconds to show operation and CELL's lifespan. See smart led indicator for lifespan stages.


Smart LED indicator



 0-12 months (2 flashes/5 sec)

 12-18 months (2 flashes/5 sec)

 12-24 months (2 flashes/5 sec)

 Red Flashing: >24 months (constant)